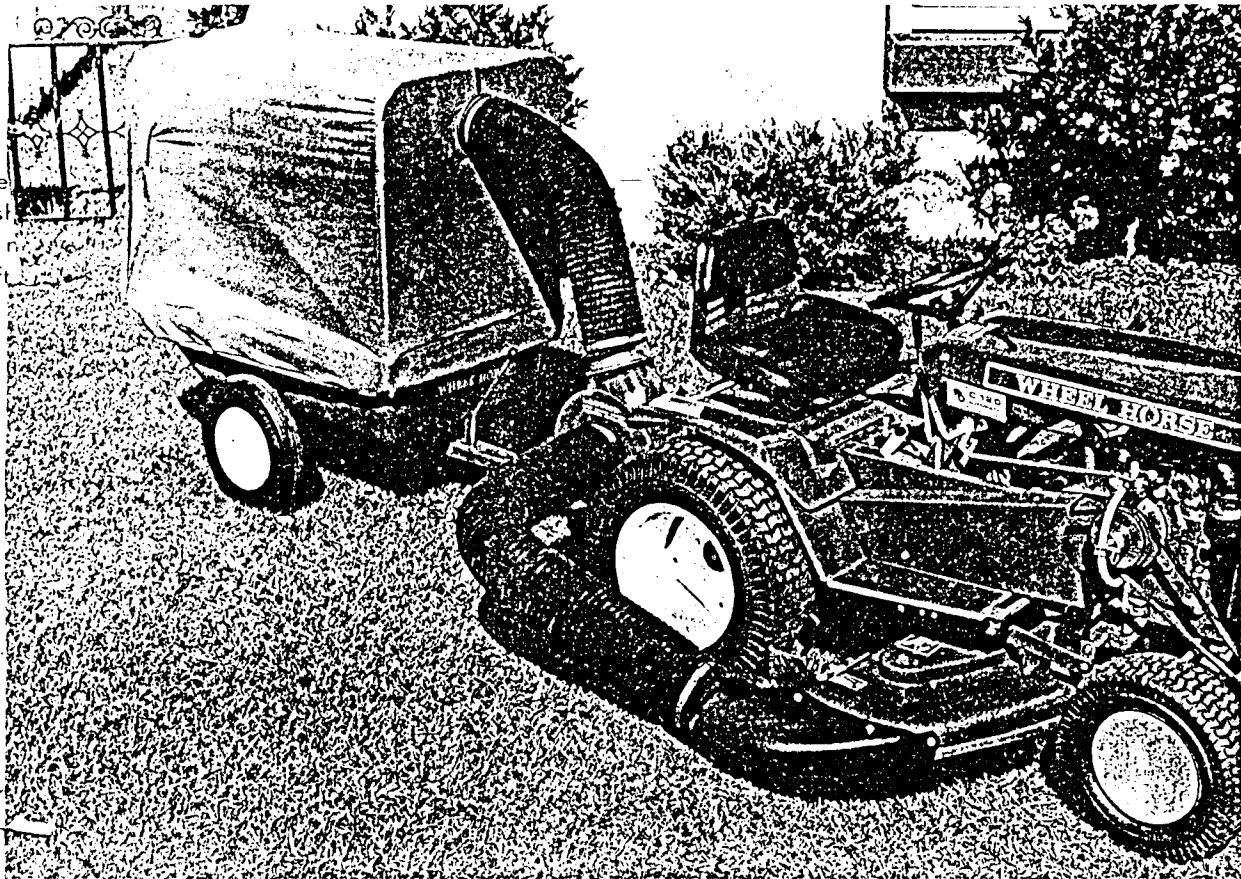


PARTS AND INSTRUCTION

Verify the Cle
51 upright g. 3
nds of upri
p tube
2552 U-tube
front h
ng
a
10
and the up-



LAWN VACUUM

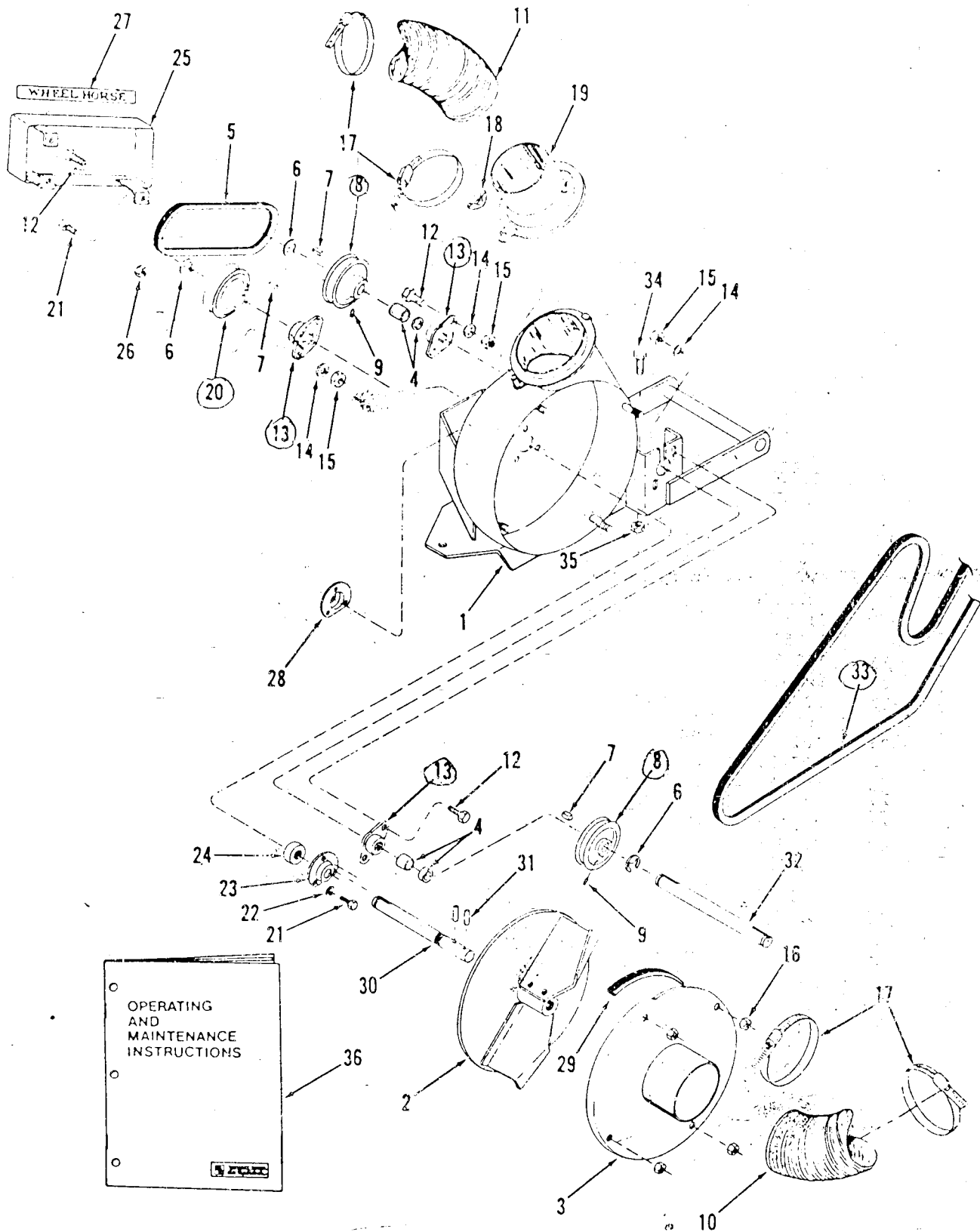


WHEEL HORSE
lawn & garden tractors

77-42VC01

LAWN VACUUMS

VEHICLE IDENTIFICATION NUMBERS 97-42VC01, 02; 97-42VX01, 02



LAWN VACUUMS

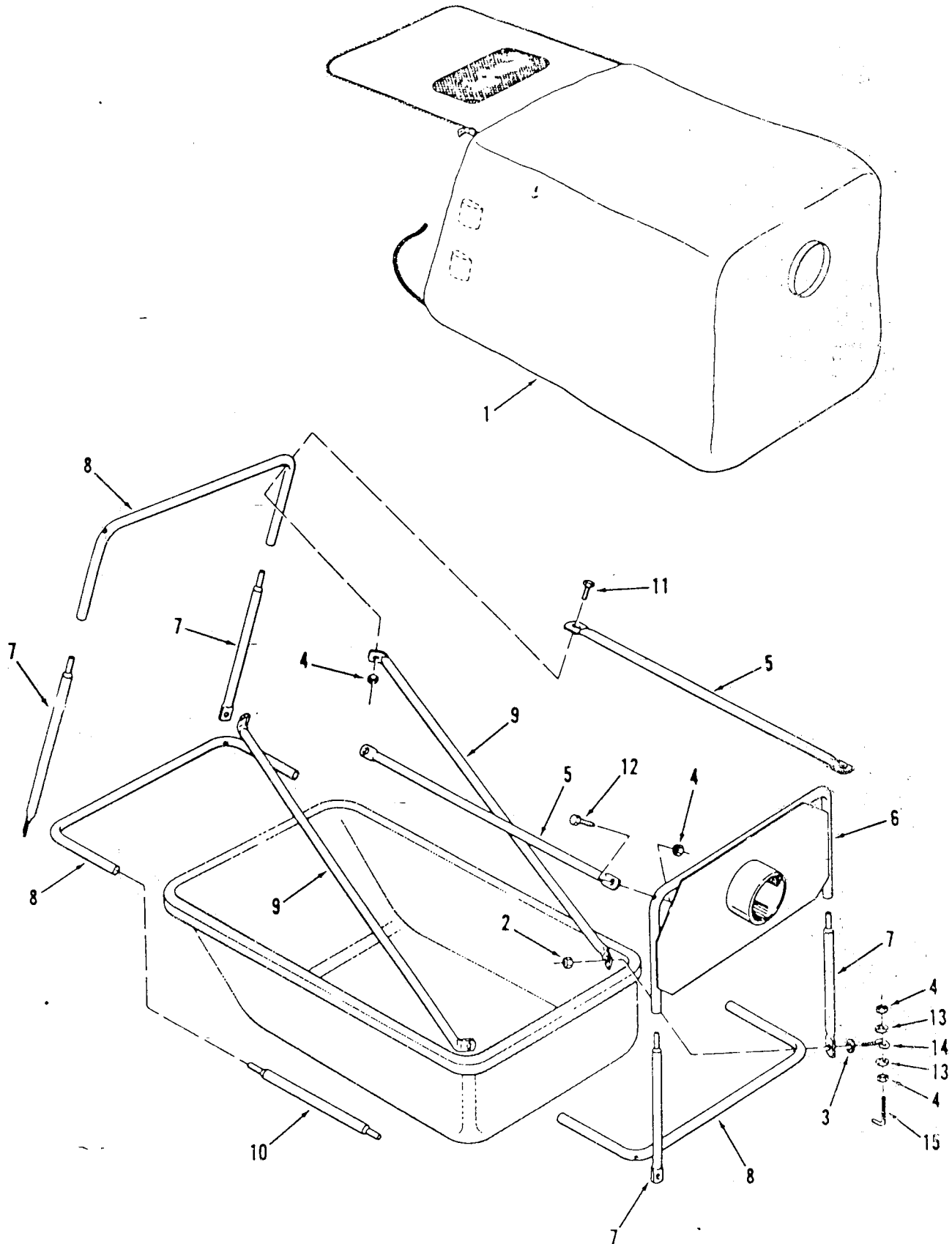
VEHICLE IDENTIFICATION NUMBERS 97-42VC01, 02; 97-42VX01, 02

Parts available only through Authorized Dealers.
When ordering parts always list Part Number and Description.
(Specifications subject to change without notice.)

ITEM NO.	PART NO.	DESCRIPTION	NUMBER REQ'D.	
			97-42VC01 97-42VC02	97-42VX01 97-42VX02
1	107789	Impeller Housing — 97-42VC01, VX01 Only	1	1
1	107953	Impeller Housing — 97-42VC01, VX01 Only	1	1
2	102519	Impeller	1	1
3	102520	Front Plate	1	1
4	102521	Spacer — Jackshaft — 97-42VC01, VX01 Only	2	2
4	107954	Spacer — Jackshaft (Thick), Input Side — 97-42VC02, VX02 Only	1	1
4	107955	Spacer — Jackshaft (Thin), Impeller Side — 97-42VC02, VX02 Only	1	1
5	517439	Drive Belt — Impeller	1	1
6	102522	E-Ring $\frac{3}{4}$	3	3
7	6366	Square Key $\frac{3}{16} \times \frac{7}{8}$	3	3
8	107792	Jackshaft Pulley (w/Set Screws)	2	2
9	909862	Set Screw $\frac{3}{16}$ -18 x $\frac{5}{16}$	4	4
10	102525	Hose 6" Dia. x 51 in. 130CM	1	1
11	102525	Hose 6" Dia. x 51 in. 130CM	0	1
11	102527	Hose 6" Dia. x 33 in. 85CM	1	0
12	908032	Bolt $\frac{3}{8}$ -16 x $\frac{3}{4}$	6	6
13	107791	Jackshaft Bearing	3	3
14	920009	Washer $\frac{3}{8}$ SAE	6	6
15	915113	Eslok Nut $\frac{3}{8}$ -16	6	6
16	915112	Eslok Nut $\frac{3}{8}$ -18	4	4
17	102528	Hose Clamp 6 in.	4	4
18	915585	Wing Nut $\frac{3}{16}$ -18	1	1
19	102529	Hose Adapter	1	1
20	102530	Impeller Pulley	1	1
21	908001	Bolt $\frac{1}{4}$ -20 x $\frac{1}{2}$	4	4
22	920081	Lockwasher $\frac{1}{4}$	3	3
23	102533	Bearing Cup	1	1
24	102534	Ball Bearing	1	1
25	107790	Belt Cover — 97-42VC01, VX01 Only	1	1
25	107956	Belt Cover — 97-42VC02, VX02 Only	1	1
26	915111	Eslok Nut $\frac{1}{4}$ -20	1	1
27	103174	Wheel Horse Decal	1	1
28	102536	Bearing Cup w/Nuts	1	1
29	102537	Seal	1	1
30	102542	Impeller Shaft	1	1
31	933215	Roll Pin $\frac{1}{4} \times \frac{1}{4}$	2	2
32	102543	Jackshaft — 97-42VC01, VX01 Only	1	1
32	107957	Jackshaft — 97-42VC02, VX02 Only	1	1
33	107662	Drive Belt	1	1
34	908060	Bolt $\frac{1}{2}$ -13 x $1\frac{3}{4}$	1	1
35	915665	E.S. Nut $\frac{1}{2}$ -13	1	1
36	810112R1	Operating and Maintenance Instructions — 97-42VC01, VX01 Only	1	1
36	810112R2	Operating and Maintenance Instructions — 97-42VC02, VX02 Only	1	1

*Order Drive Belt 107813 (Part of S.A. 105168) for C-Series "Twin" Models.

LAWN VACUUMS
VEHICLE IDENTIFICATION NUMBERS 97-42VC01, 02; 97-42VX01, 02



LAWN VACUUMS

VEHICLE IDENTIFICATION NUMBERS 97-42VC01, 02; 97-42VX01, 02

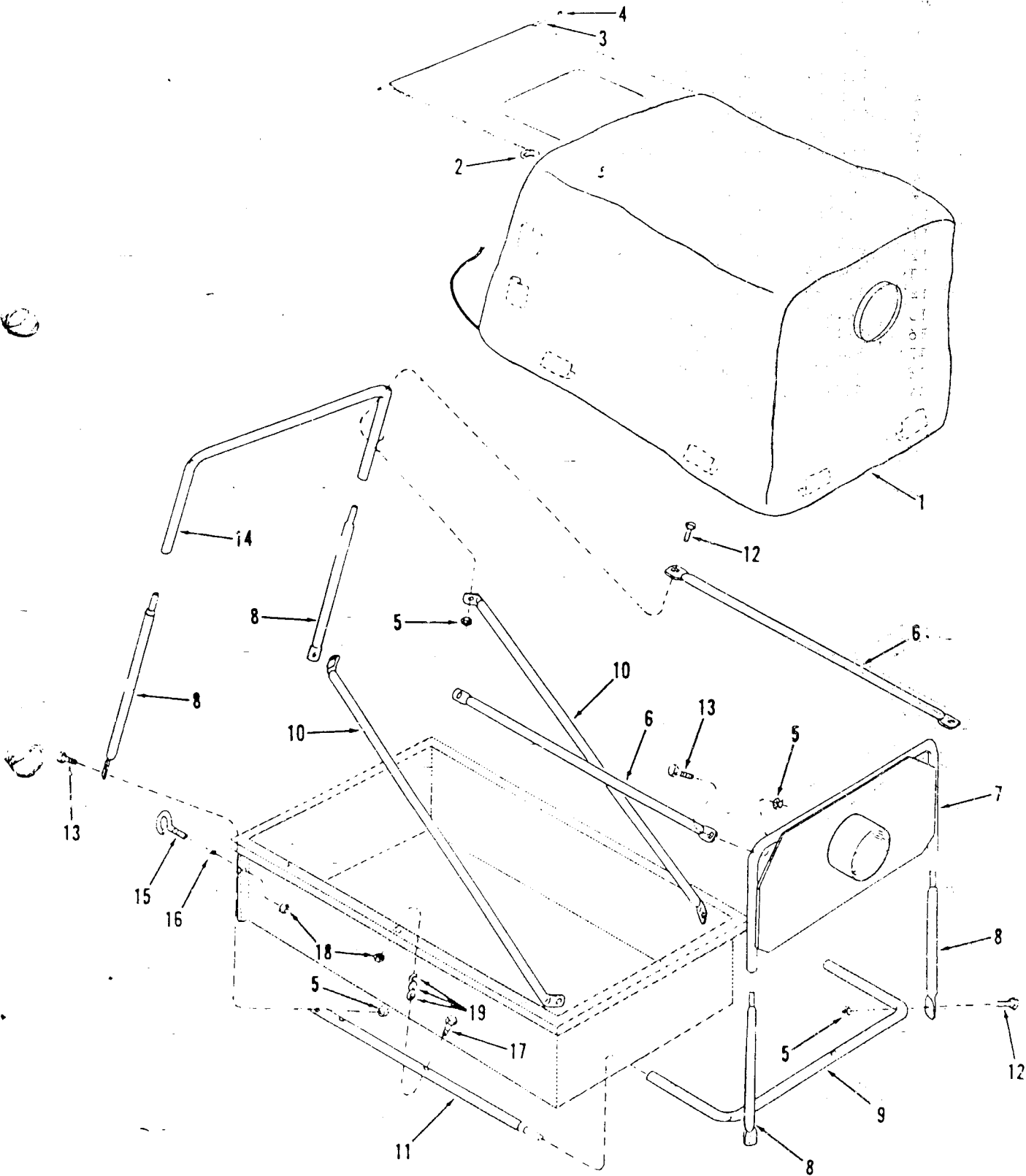
Parts available only through Authorized Dealers.

When ordering parts always list Part Number and Description.

(Specifications subject to change without notice.)

ITEM NO.	PART NO.	DESCRIPTION	NUMBER REQ'D.	
			97-42VC01 97-42VC02	97-42VX01 97-42VX02
1	102557	Cart Cover 5.5 cu. ft. (.15 cu. m)	1	0
2	915111	Eslok Nut $\frac{1}{4}$ -20	4	0
3	920007	Washer $\frac{1}{4}$ SAE	4	0
4	915112	Eslok Nut $\frac{3}{16}$ -18	12	0
5	102549	Top Tube	2	0
6	102550	Front Hose Adapter	1	0
7	102551	Upright Brace	4	0
8	102552	U-Tube	3	0
9	102553	Cross Tube	2	0
10	102554	Side Tube	2	0
11	908020	Bolt $\frac{5}{16}$ -18 x $1\frac{1}{4}$	2	0
12	908019	Bolt $\frac{5}{16}$ -18 x 1	2	0
13	920008	Washer $\frac{3}{16}$ SAE	8	0
14	102555	Eye Bolt $\frac{1}{4}$ -20	4	0
15	102556	J-Bolt	4	0

LAWN VACUUMS
VEHICLE IDENTIFICATION NUMBERS 97-42VC01, 02; 97-42VX01, 02

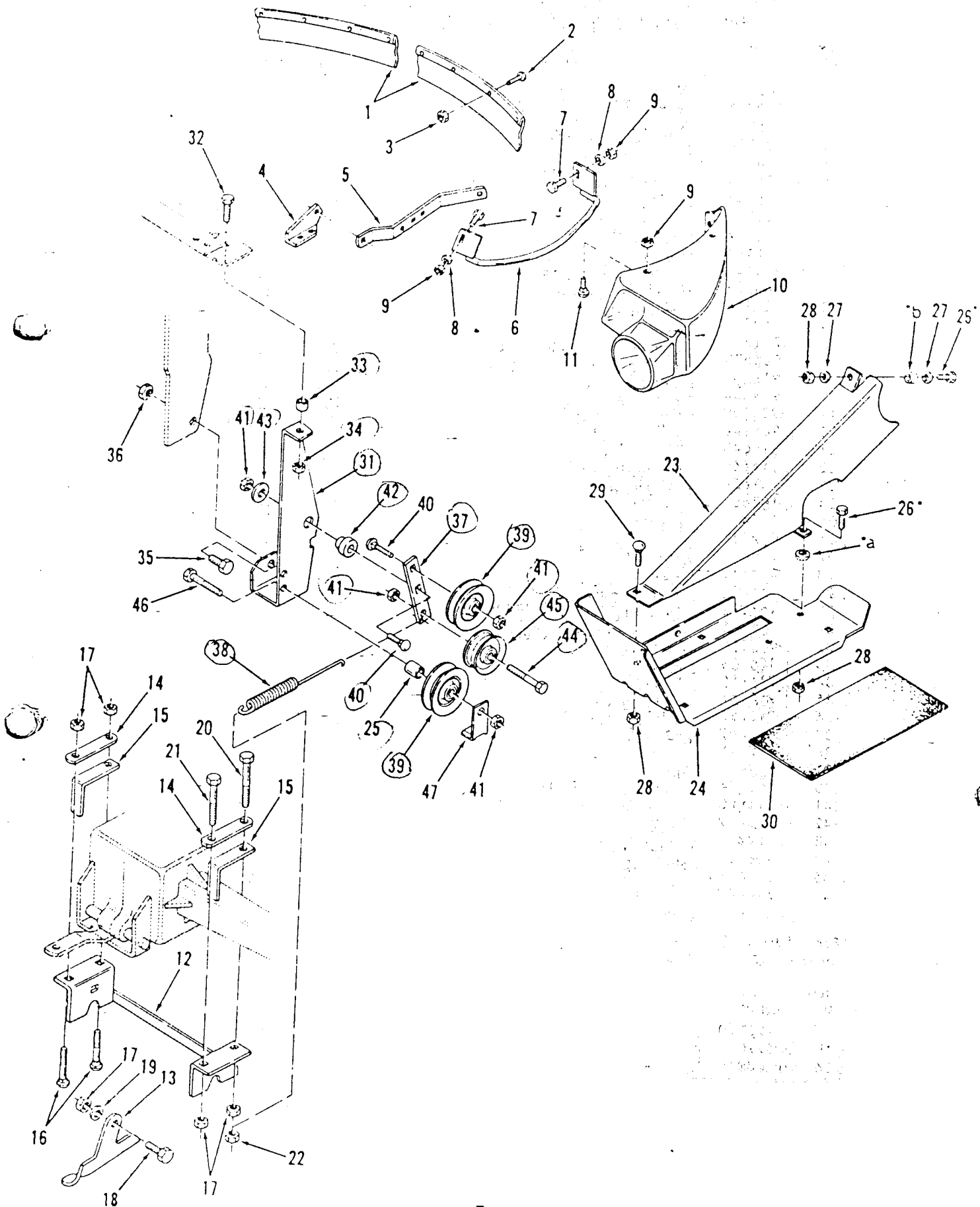


LAWN VACUUMS
VEHICLE IDENTIFICATION NUMBERS 97-42VC01, 02; 97-42VX01, 02

Parts available only through Authorized Dealers.
 When ordering parts always list Part No. and Description.
 (Specifications subject to change without notice.)

ITEM NO.	PART NO.	DESCRIPTION	NUMBER REQ'D.	
			97-42VC01 97-42VC02	97-42VX01 97-42VX02
1	106185	Cart Cover 10 cu. ft. (.28 cu. m)	0	1
2	106186	Hook $\frac{3}{16}$ Dia.	0	2
3	106189	Canopy Rod	0	1
4	106188	Rubber Cap	0	1
5	915112	Eslok Nut $\frac{3}{16}$ -18	0	8
6	102549	Top Tube	0	2
7	106187	Front Hose Adapter	0	1
8	102551	Upright Brace	0	4
9	106180	U-Tube	0	1
10	106181	Cross Tube	0	2
11	106182	Side Tube	0	2
12	908020	Bolt $\frac{3}{16}$ -18 x $1\frac{1}{4}$	0	4
13	908019	Bolt $\frac{3}{16}$ -18 x 1	0	4
14	106183	U-Tube	0	1
15	102555	Eyebolt $\frac{1}{4}$ -20	0	2
16	915111	Nut $\frac{1}{4}$ -20	0	2
17	908007	Bolt $\frac{1}{4}$ -20 x $1\frac{1}{2}$	0	7
18	915111	Eslok Nut $\frac{1}{4}$ -20	0	9
19	920007	Washer $\frac{1}{4}$ SAE	0	21

LAWN VACUUMS
 VEHICLE IDENTIFICATION NUMBERS 97-42VC01, 02; 97-42VX01, 02



LAWN VACUUMS

VEHICLE IDENTIFICATION NUMBERS 97-42VC01, 02; 97-42VX01, 02

Parts available only through Authorized Dealers.

When ordering parts always list Part Number and Description.

(Specifications subject to change without notice.)

ITEM NO.	PART NO.	DESCRIPTION	NUMBER REQ'D.	
			97-42VC01 97-42VC02	97-42VX01 97-42VX02
1	102546	Mower Deck Cover	2	2
2	910792	Screw #10-24 x 1/2 Rd. Hd.	8	8
3	915964	Keys Nut #10-24	8	8
4	104358	Deck Bracket - Mower	1	1
5	104359	Draft Bar - Mower	1	1
6	106054	Blade Guard Assembly	1	1
7	908016	Bolt 3/16-18 x 3/8	2	2
8	920008	Washer 3/16 SAE	2	2
9	915112	Eslok Nut 3/16-18	5	5
10	102548	Nozzle	1	1
11	900285	Carriage Bolt 3/16-18 x 5/8	3	3
12	104659	Mounting Bracket	1	1
13	104657	Latching Plate	2	2
14	3697	Link	2	2
15	7713	Angle Spacer (8-Speed Only)	2	2
16	900073	Carriage Bolt 3/8-16 x 3 1/2	2	2
17	915663	E.S. Nut 3/8-16	6	6
18	908034	Bolt 3/8-16 x 1	2	2
19	920009	Washer 3/8 SAE	2	2
20	908044	Bolt 3/8-16 x 4	1	1
21	908043	Bolt 3/8-16 x 3 1/2	1	1
22	915663	E.S. Nut 3/8-16	1	1
23	107655	Belt Guard	1	1
24	107661	Footrest	1	1
25	105474	Spacer	1	1
26	908017	Bolt 3/16-18 x 3/4	2	2
27	920008	Washer 3/16 SAE	2	2
28	915662	E.S. Nut 3/16-18	3	3
29	900036	Carriage Bolt 3/16-18 x 5/8	1	1
30	106264	Footrest Pad (Trim to Fit)	1	1
31	107660	Idler Mounting Bracket	1	1
32	908020	Bolt 3/16-18 x 1 1/4	1	1
33	100304	Spacer	1	1
34	915112	Eslok Nut 3/16-18	1	1
35	908057	Bolt 1/2-13 x 1	1	1
36	915115	Eslok Nut 1/2-13	1	1
37	107659	Idler Arm	1	1
38	107658	Spring	1	1
39	8205	V-Idler Pulley	2	2
40	900236	Carriage Bolt 3/8-16 x 1 1/2 Short Neck	2	2
41	915113	Eslok Nut 3/8-16	4	4
42	103409	Spacer	1	1
43	2844	Special Washer	1	1
44	908038	Bolt 3/8-16 x 2	1	1
45	MW8821	Flat Idler Pulley	1	1
46	908039	Bolt 3/8-16 x 2 1/4	1	1
47	6360	Belt Guide	1	1

*For C-Series "Twin" Models, Order Parts as Indicated Below (These Parts are included in S. A. 105168).

ITEM NO.	PART NO.	DESCRIPTION	NO. REQ'D.
*a	920220	Spacer Washer	1
*b	6990	Spacer	1
26	908019	Bolt 3/16-18 x 1	2

PARTS LIST AND INSTRUCTIONS

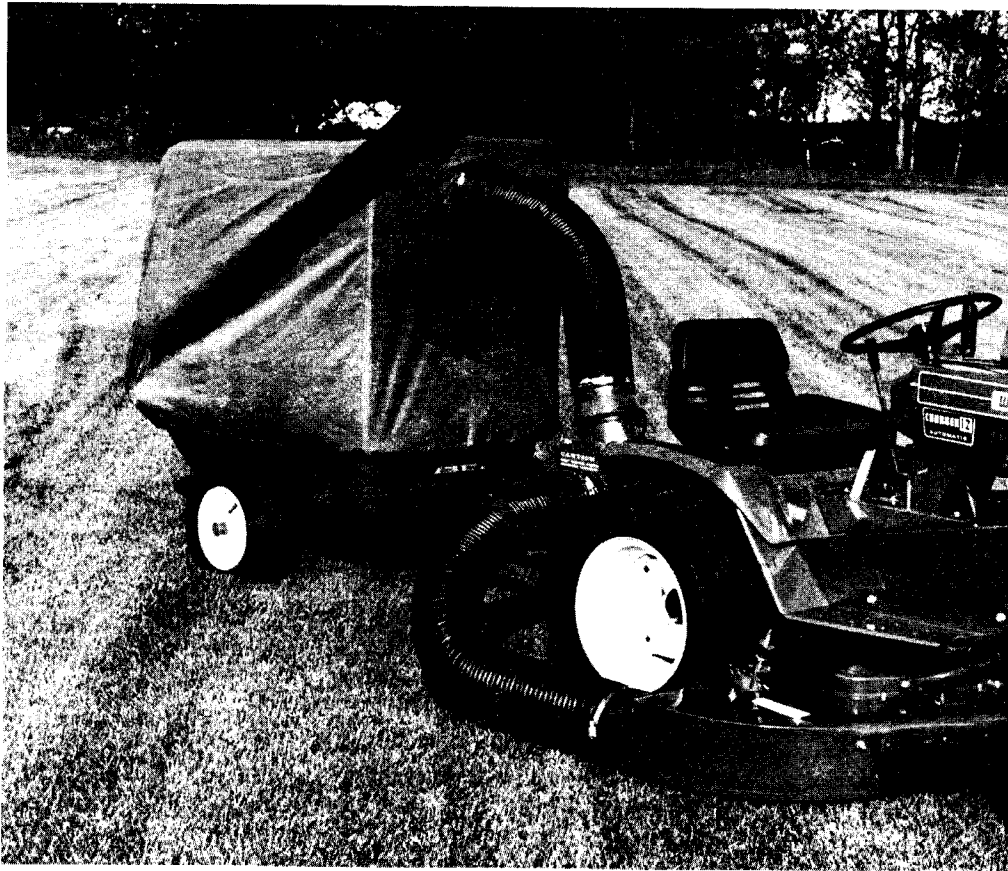


Wheel Horse

WHEEL-HORSE PRODUCTS, INC. • SOUTH BEND, IND.

LAWN VACUUM ATTACHMENT Model 7-2611 with Optional HOSE ACCESSORY Model 7-2621

— FOR USE WITH 42" MOWERS ONLY —



SAFETY INSTRUCTIONS

- Exercise caution at all times when operating your new vacuum attachment.
- Always stop engine before leaving machine.
- Always stop engine before servicing or adjusting machine.
- Always keep hands, feet and clothing away from any power driven parts.
- Never remove foreign objects from mower deck nozzle, hose, or impeller before stopping engine.
- Never operate unit with hose from impeller to canopy disconnected.

DESCRIPTION

The Lawn Vacuum attachment is packed complete in one (1) carton. It is designed specifically for installation on 42" mowers only — models 5-1001, 5-1423, 5-1422, 5-1421; and a model 7-2211 Dump Trailer. An optional Hose Accessory model 7-2621 is available for use around shrubbery and other inaccessible areas.

INSTALLATION

IMPELLER UNIT

1. Assemble the Rear (Dozer Blade) Quick Hitch Assembly to tractor as shown in Figure 1, leaving bolts loose. Assemble Latching Plates to outside of hitch.
2. Relocate the R. H. tractor foot rest in the outer hole locations on footrest bracket, retaining the two (2) $\frac{5}{16}$ -18 bolts for later use. (Figure 5)

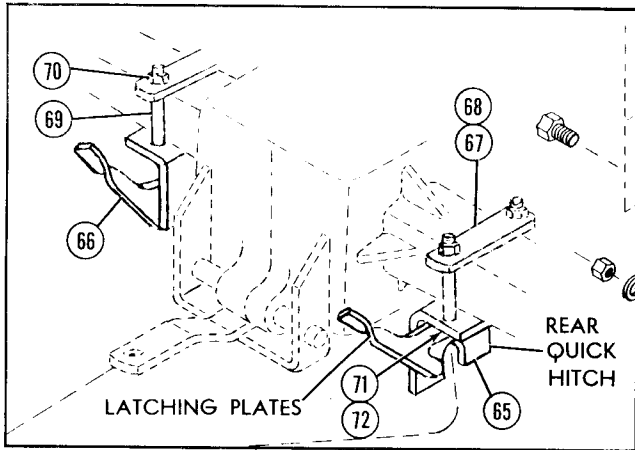


FIGURE 1

3. Mount Idler Pulley in center of slotted hole of Idler Mounting Bracket with $\frac{3}{8}$ -16 bolt, washer, and nut as shown in Figure 2.

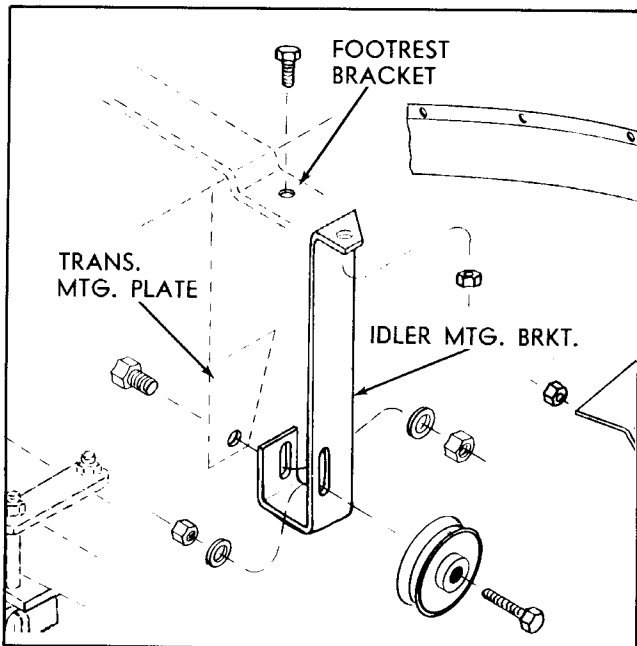


FIGURE 2

4. Secure the Idler Mounting Bracket to Transmission mounting plate with $\frac{1}{2}$ -13 Bolt, washer, and nut. Fasten at top to the footrest bracket with $\frac{5}{16}$ -18 bolt, and nut as shown in Figure 2.
5. Mount the Impeller Unit on Rear Quick Hitch, placing the adjustment screw into Draw Bar and secure with Latching Plates and hairpin cotter as shown in Figures 3 and 4.

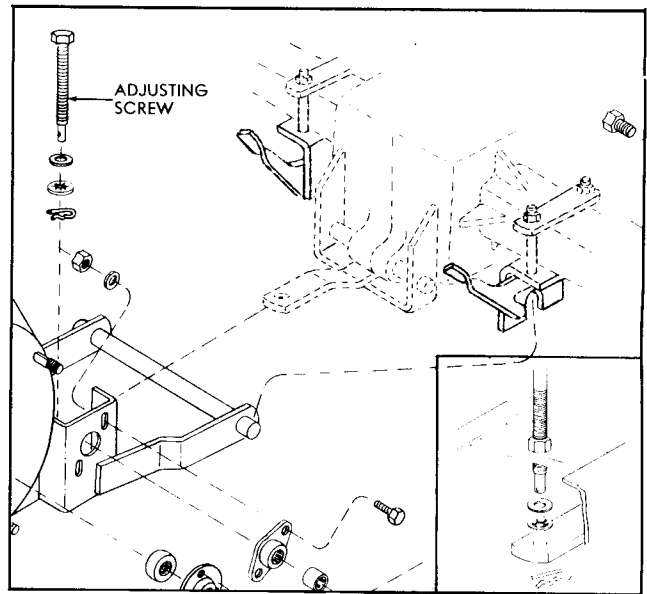


FIGURE 3

FIGURE 4

6. Shift quick hitch ass'y. as necessary to align the Jackshaft Pulley with the outer groove on clutch pulley and tighten Quick Hitch Mtg. Bolts.
7. Slip the Drive Belt under R. H. rear tractor wheel and place on outer groove of clutch pulley, Jackshaft Pulley and under Idler Pulley as shown in Figure 5. (Wheel removed in photo for viewing purposes only.)

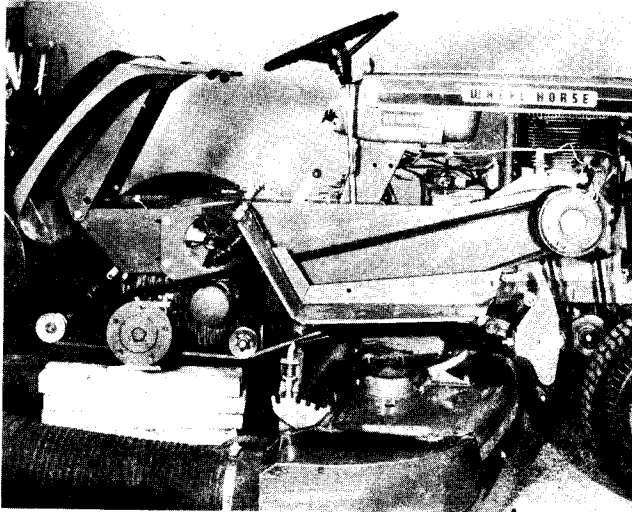


FIGURE 5

8. Adjust the adjustment screw for proper belt tension. (Approximately 1" deflection in the center on upper strand.) Idler pulley may be moved in slot to provide belt clearance under axle and additional belt adjustment.
9. To install belt cover, hook clip at top to Tractor Belt Guard and fasten on outside of Foot Rest with bolts removed during Step 2 and with nuts supplied.

MOWER PREPARATION

10. Clamp Mower Deck Covers to front edge of mower deck, ends against Roller Bracket with bottom edge 1" below mower deck. Using the deck covers as templates, mark and drill eight (8) $\frac{13}{64}$ Dia. holes for machine screws and fasten with Keps-Nuts. See Figure 6. Install with screw-heads inside mower.

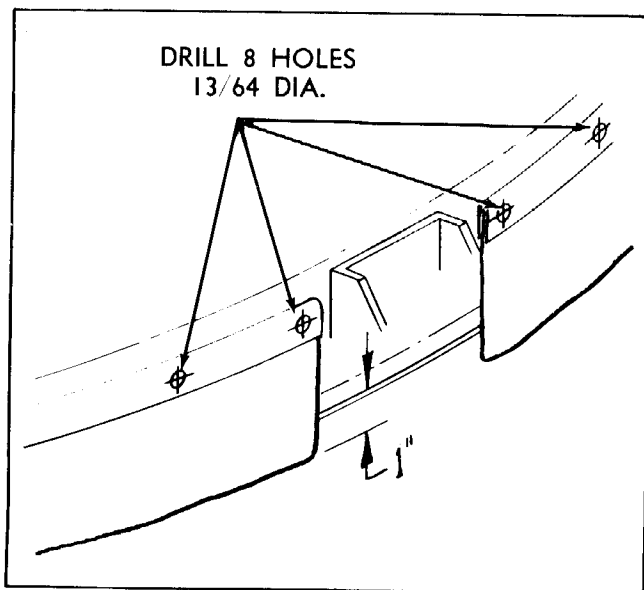


FIGURE 6

11. Place Nozzle on mower deck. Mark location for holes. Drill three (3) $\frac{5}{16}$ Dia. holes and file out to square for $\frac{5}{16}$ -18 Carriage Bolts and secure with nuts. See Figure 7.

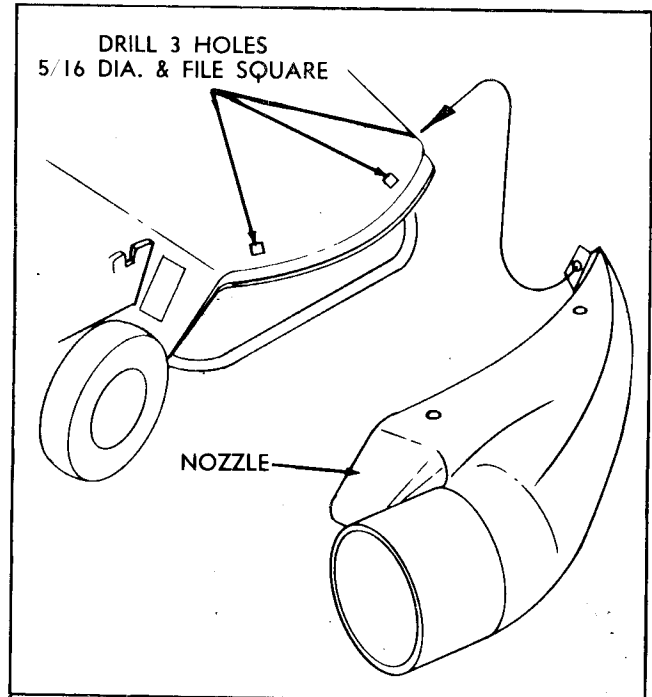


FIGURE 7

TRAILER CANOPY

12. Fasten top Trailer Canopy tubes (52) to hose adapter ass'y. tube (53) using $\frac{5}{16}$ -18 bolt and nut as shown in Figure 8.
13. Assemble the rear of the top canopy support tubes (52) to the outside and the cross tubes (56) to the inside of the top rear U-Tube (55) using $\frac{5}{16}$ -18 Bolt and nut as shown in Figure 9.
14. Insert Upright Braces (54) into Hose Adapter Assembly Tube (53) and Top Rear U-Tube (55).
15. Make loose connection of Front Upright Braces (54), Lower U-Tube (55), and Cross Tubes (56) using eyebolts as shown in Figure 10.
16. Make loose connection of Rear Upright Braces (54) to lower U-Tube (55) as shown in Figure 11.
17. Install canopy over frame.
18. Pull up sides of canopy and install side tubes (57) in loops of canopy as shown in Figure 12.
19. Insert reduced ends of side tubes (57) into bottom U-Tubes (55).
20. Pull up corners of canopy and tighten nuts on Eye Bolts making unit rigid.
21. Place Canopy Frame Assembly on Dump Trailer with side dust seals between trailer bed and frame tubing as shown in Figure 12.
22. Turn up corners of canopy and fasten unit to trailer bed as shown in Figure 10. NOTE: Check to make sure side dust seals are still in proper location.
23. Install Canopy Hooks and fasten to rear tubes as shown in Figure 13.
24. Secure Canopy to Trailer Bed with rope making sure bottom of canopy is below bed lip and plastic canopy corner protectors are in place between canopy and mounting bolts before tying knots.

FINAL ASSEMBLY

25. Fasten 51" Hose between Mower nozzle and Impeller Assembly with hose clamps.
26. Hook Trailer Tongue to rear of Vac Unit with Tool Pin.
27. Fasten 33" Hose to Canopy Adaptor with hose clamp.
28. Insert hose adapter into opposite end of hose and secure with hose clamp.
29. Position Adapter in Clip on Impeller Assembly and secure with wing nut.

OPERATING INSTRUCTIONS

Please read the safety rules in this manual before attempting to operate this equipment.

The Lawn Vacuum is designed to operate efficiently at normal mowing speeds. Consult your mower operating instructions for proper throttle settings and ground speed. **Note:** The attachment clutch engages and disengages both the mower and lawn vacuum simultaneously.

The vacuum will pick up grass clippings, leaves, twigs and other small articles on the lawn and deposit them in the trailer. A deflector is built into the hose adaptor assembly tube to protect the canopy against damage from flying debris. Care should be taken, however, to remove any articles from the lawn which might cause damage to the mower or impeller assembly.

If suction action or pick-up should cease while in operation, stop forward travel, disengage attachment clutch, and **shut off engine**. Check for such possible causes as a dirty canopy breathing screen, obstructions in the mower nozzle, hoses or impeller housing, and insufficient belt tension.

The trailer may be easily emptied through the large zippered flap in the rear of the canopy. **Never empty trailer with engine running.** The trailer may be lowered (trailer latch released) for emptying if desired, after first disconnecting the trailer hose from impeller unit.

MAINTENANCE

The Lawn Vacuum is nearly maintenance free. The impeller shaft bearings and idler pulley require no lubrication. Prompt emptying of the trailer and allowing the canopy to dry thoroughly between uses and prior to storage will prolong service life. For winter storage, simply take standard rust preventative measures on metal components.

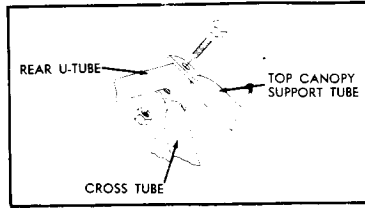


FIGURE 9

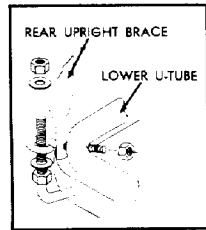


FIGURE 11

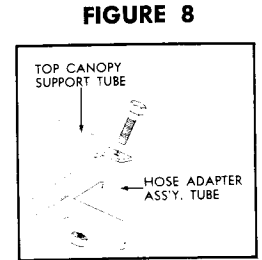


FIGURE 8

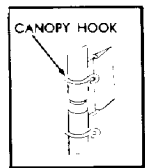


FIGURE 13

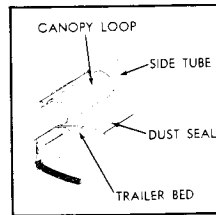
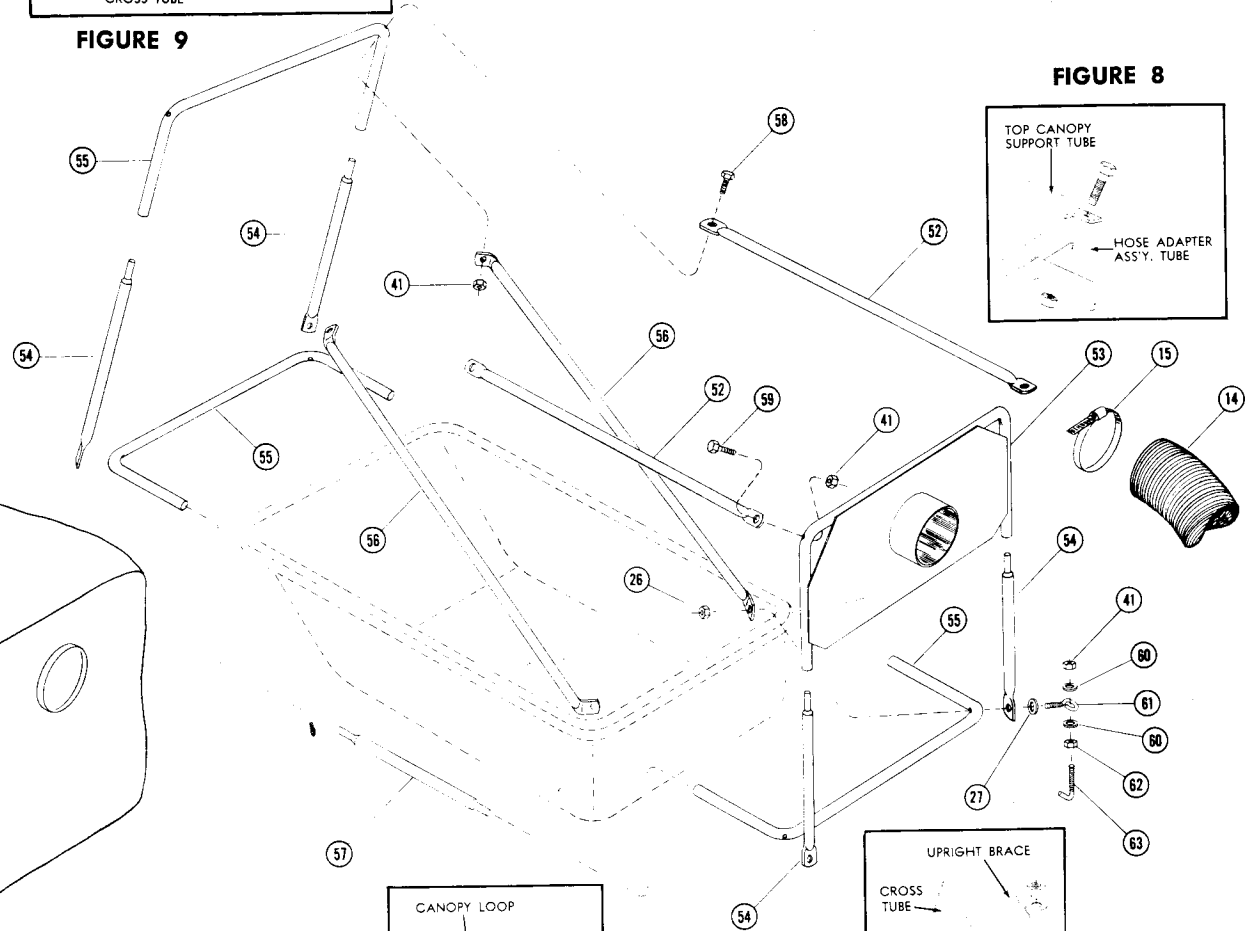
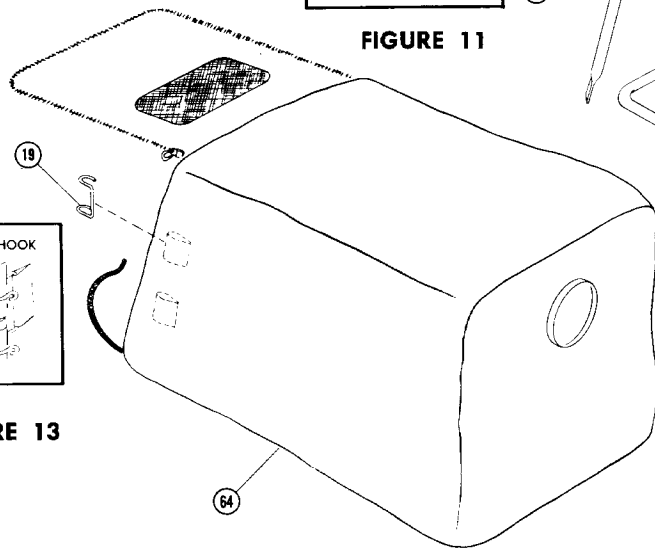


FIGURE 12

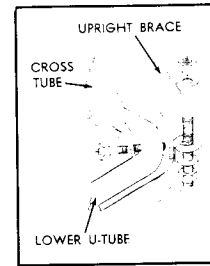
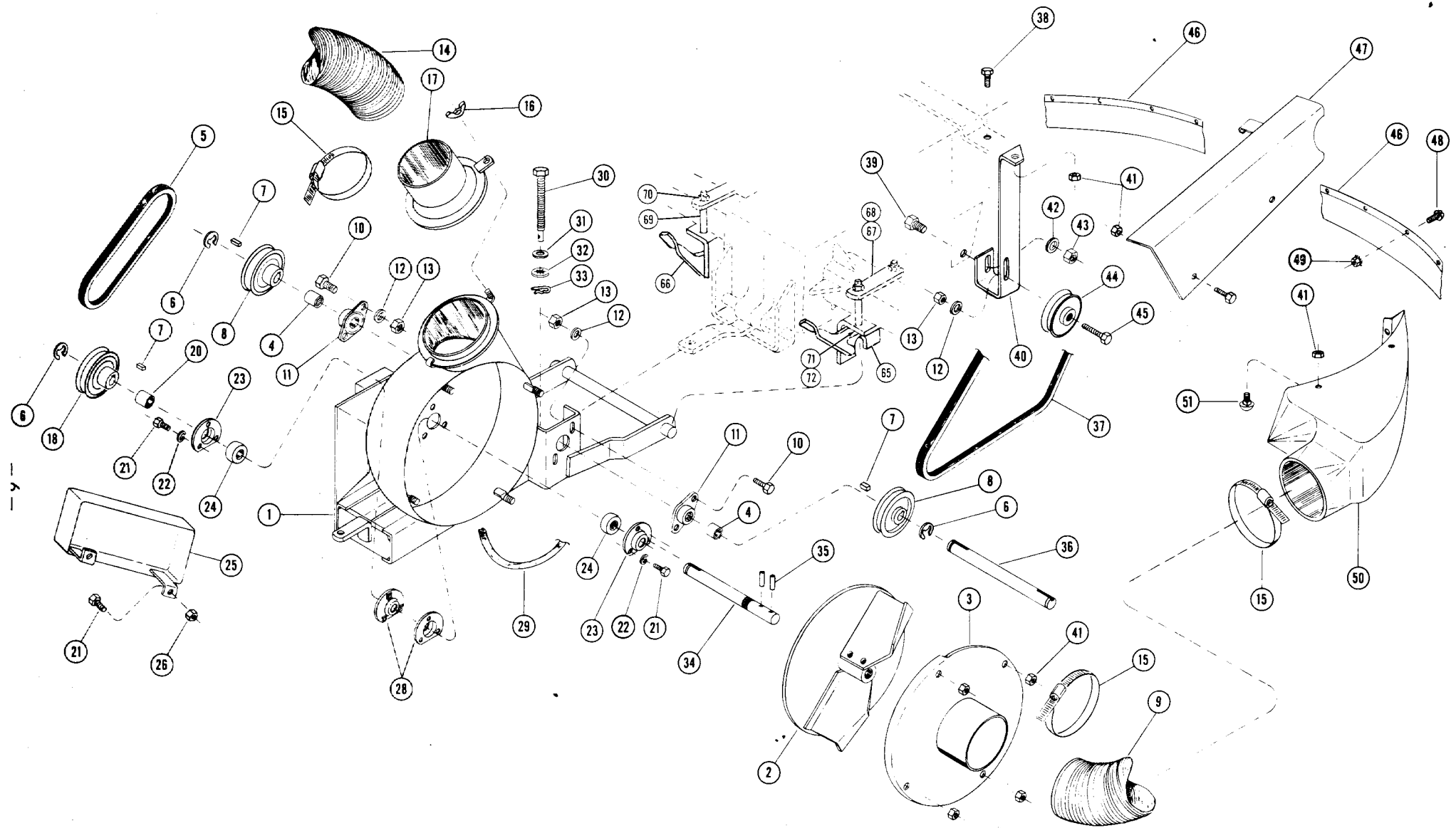


FIGURE 10



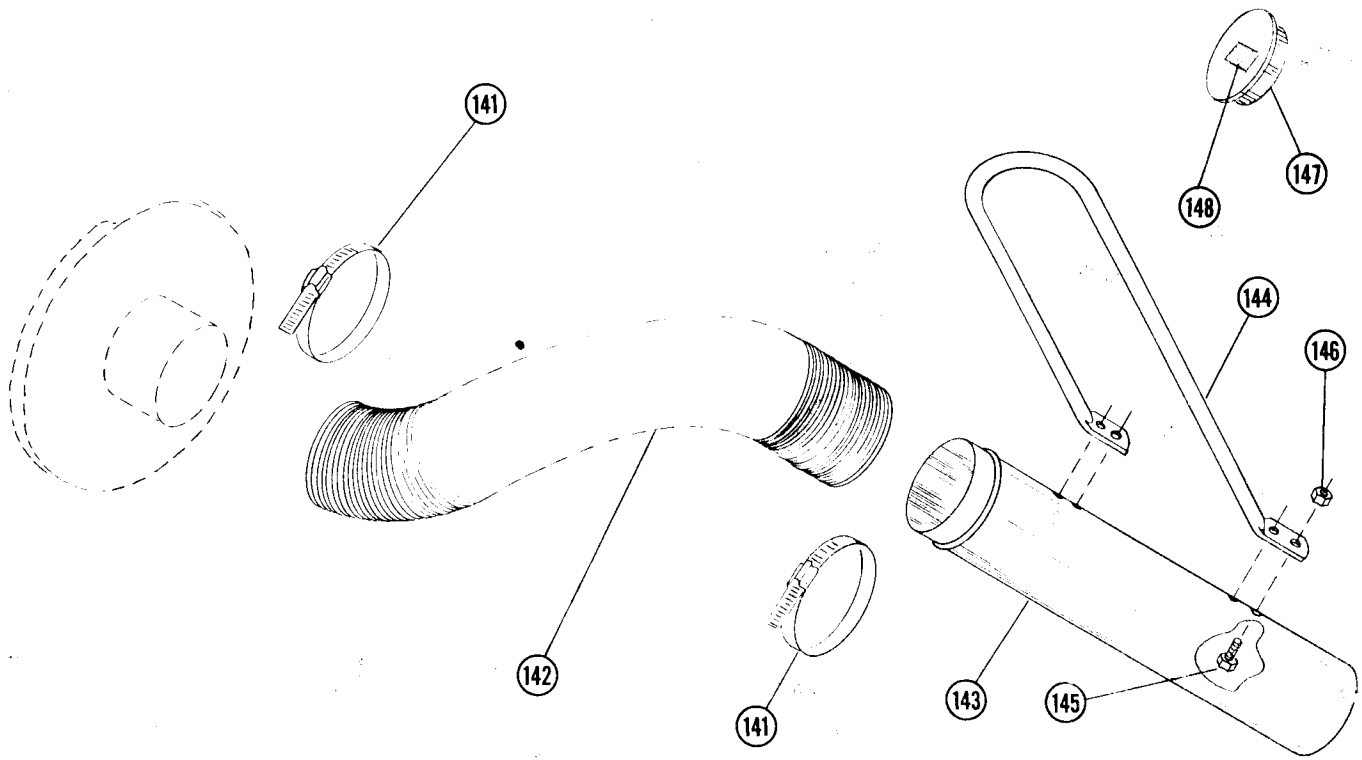
VACUUM ATTACHMENTS

When ordering parts always list Part No. and name of Part.

Parts available only through Authorized Dealers.

(Specifications subject to change without notice.)

Item No.	Part No.	Description	No. Req'd.	Item No.	Part No.	Description	No. Req'd.
1	102518	Impeller Housing Ass'y.	1	37	1594	Drive Belt 4L-1070	1
2	102519	Impeller Assembly	1	38	908017-4	$\frac{5}{16}$ -18 x $\frac{3}{4}$ Hex Cap Sc.	1
3	102520	Front Plate Ass'y.	1	39	908057-4	$\frac{1}{2}$ -13 x 1 Hex Cap Sc.	1
4	102521	Jackshaft Spacer	2	40	102544	Idler Mtg. Bracket	1
5	1580	Impeller Drive Belt 4L-310	1	41	915112-6	$\frac{5}{16}$ -18 Lock Nut	16
6	102522	$\frac{3}{4}$ Ret. Ring 5133-75	3	42	920011-4	$\frac{1}{2}$ " Flat Washer	1
7	6366	Square Key $\frac{3}{16}$ x $\frac{7}{8}$	3	43	915115-6	$\frac{1}{2}$ -13 Lock Nut	1
8	102524	Jackshaft Pulley 4L-2 $\frac{3}{4}$	2	44	102545	V-Belt Idler 4L-2 $\frac{5}{8}$	1
9	102525	6" Dia. Hose x 51"	1	45	908036-4	$\frac{3}{8}$ -16 x 1 $\frac{1}{2}$ Hex Cap Sc.	1
10	908032-4	$\frac{3}{8}$ -16 x $\frac{3}{4}$ Hex Cap Sc.	4	46	102546	Mower Deck Cover Ass'y.	2
11	102526	Jackshaft Bearing	2	47	102547	Belt Guard Ass'y.	1
12	920009-4	$\frac{3}{8}$ " S.A.E. Flat Washer	5	48	910792-4	#10-24 x $\frac{1}{2}$ Rd. Head Sc.	8
13	915113-6	$\frac{3}{8}$ -16 Lock Nut	5	49	915964-4	#10-24 Kep-Nut	8
14	102527	6" Dia. Hose x 33"	1	50	102548	Nozzle Ass'y. — 42" Mower Deck	1
15	102528	6" Hose Clamp	4	51	900285-4	$\frac{5}{16}$ -18 x $\frac{5}{8}$ Carr. Bolt	3
16	915585-4	$\frac{5}{16}$ -18 Wing Nut	1	52	102549	Top Tube	2
17	102529	Hose Adapter	1	53	102550	Front Hose Adapter Ass'y.	1
18	102530	Impeller Pulley 4L-4	1	54	102551	Upright Brace	4
19	102531	Hamper Hook	4	55	102552	U-Tube	3
20	102532	Impeller Shaft Spacer	1	56	102553	Cross Tube	2
21	908001-4	$\frac{1}{4}$ -20 x $\frac{1}{2}$ Hex Cap Sc.	8	57	102554	Side Tube	2
22	920081-4	$\frac{1}{4}$ " Split Lock Washer	6	58	908020-4	$\frac{5}{16}$ -18 x 1 $\frac{1}{4}$ Hex Cap Sc.	2
23	102533	Bearing Cup	2	59	908019-4	$\frac{5}{16}$ -18 x 1 Hex Cap Sc.	2
24	102534	Ball Bearing	2	60	920008-4	$\frac{5}{16}$ " S.A.E. Flat Washer	8
25	102535	Belt Cover Assembly	1	61	102555	$\frac{1}{4}$ -20 Eye Bolt	4
26	915111-6	$\frac{1}{4}$ -20 Lock Nut	6	62	915112-6	$\frac{5}{16}$ -18 Hex Nut	4
27	920007-4	$\frac{1}{4}$ " S.A.E. Flat Washer	4	63	102556	J-Bolt	4
28	102536	Bearing Cup w/Nuts	2	64	102557	Cart Cover	1
29	102537	Seal	1	65	7710	Ass'y. Bracket Mounting	1
30	102538	Adjustment Screw	1	66	7704	Plate — Latching	2
31	102539	$\frac{3}{16}$ Flat Washer	1	67	7711	Link	2
32	102540	$\frac{3}{16}$ Push-Nut PS-438014	1	68	7713	Spacer — Angle	2
33	933509-4	Hairpin Cotter	1	69	900073-4	Bolt Carriage $\frac{3}{8}$ -16 x 3 $\frac{1}{2}$	4
34	102542	Impeller Shaft	1	70	915663-4	Nut $\frac{3}{8}$ -16 Elastic Stop	6
35	933215	$\frac{1}{4}$ x 1 $\frac{1}{4}$ Roll Pin	2	71	908034-4	Bolt Hex $\frac{3}{8}$ -16 x 1	2
36	102543	Jackshaft	1	72	920009-4	Washer $\frac{3}{8}$ S.A.E.	2



HOSE ACCESSORY

Model #7-2621

Optional Accessory for Model 7-2611 Lawn Vacuum

PARTS LIST

When ordering parts always list Part No. and name of Part.

Parts available only through Authorized Dealers.

(Specifications subject to change without notice.)

The Hose Accessory makes the Lawn Vacuum even more versatile by permitting leaf and debris pick up around shrubs, along hedges and fences and other inaccessible areas. It comes packed in one (1) carton and is easily assembled, using the exploded view drawing above as a guide.

To use, remove the hose from the mower and the impeller housing and install hose accessory on impeller inlet. **CAUTION: Always shut off tractor engine before installing or removing hoses. Install mower nozzle plug when operating hose accessory.** Position tractor so that the area beneath the mower is free of debris and that the mower nozzle points away from work area. Lower mower to cutting position and set parking brake. Start engine, adjust throttle $\frac{3}{4}$ to full open position and engage attachment clutch.

Item No.	Part No.	Description	No. Req'd.
141	102528	6" Hose Clamp	2
142	102515	10' Lg. Plastic Hose	1
143	102516	Nozzle	1
144	102517	Nozzle Handle	1
145	908001-4	$\frac{1}{4}$ -20 x $\frac{1}{2}$ Hex Cap Sc.	4
146	915111-6	$\frac{1}{4}$ -20 Lock Nut	4
147	102661	Plug, Nozzle Ass'y.	1
148	102662	Decal, Warning	1

Vacuum Bagger

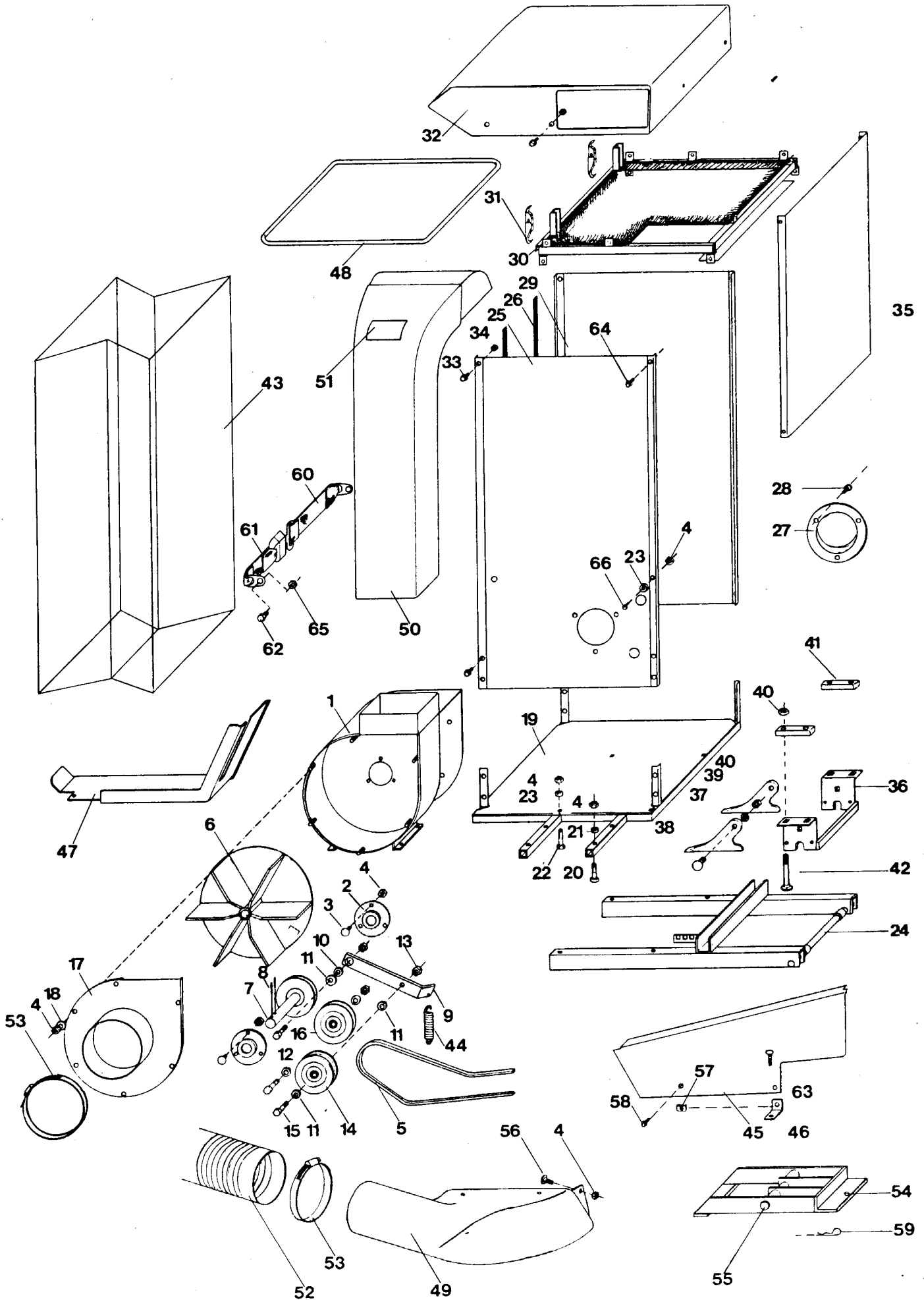
07-42VB91

DESCRIPTION

The vacuum bagger is designed for use with all C-series tractors.

The vacuum bagger is designed for use with the Wheel Horse 42" side discharge mid mount rotary mower.

F



PARTS AVAILABLE ONLY THROUGH AUTHORIZED DEALERS.
 When ordering parts always list Part No. and description.

Item Number	Part Number	Description	Number Required
1	77064	Impeller Housing Assy	1
2	77021	Bearing	2
3	900037	Carriage Bolt 5/16-18x3/4	6
4	915112	Lock Nut 5/16-18	26
5	77022	Belt A 130	1
6	78134	Impeller Assy	1
7	77055	Drive Assy	1
8	77120	Roll Pin ϕ 6-30	2
9	77019	Idler Arm	1
10	102964	Spacer	2
11	920011	Washer 1/2 SAE	5
12	908057	Bolt 1/2-13x1" Hex	1
13	915115	Nut 1/2-13 Elastic Stop	3
14	77018 = 105874	Idler Flat	1
15	908061	Bolt 1/2-13x2" Hex	2
16	77017	Idler V	1
17	77056	Front Plate Assy	1
18	920008	Washer 5/16 SAE	11
19	78147	Bottom Plate Assy	1
20	908021	Bolt 5/16-18x1 1/2 Hex	4
21	9101	Spacer	4
22	908022	Bolt 5/16-18x1 3/4 Hex	1
23	5189	Spacer	2
24	78154	Mounting Frame Assy	1
25	77059	Side Panel Assy RH	1
26	102896	Edge Trim	2
27	77066	Bearing Cover	1
28	77070	Gemiloc Spring F 1	3
29	77060	Side Panel Assy LH	1
30	78156	Cover & Bag Frame Support	1
31	78413	Latch	2
32	77015	Cover	1
33	960151	Whizlock 1/4-20x1/2	18
34	915111	Locknut 1/4-20	20
35	77132	Operator Shielding	1
36	104659	Assy Bracket Mounting	1
37	104657	Plate Latching	2
38	900063	Bolt Carriage 3/8-16x1	2
39	920009	Washer 3/8 SAE	2
40	915663	Nut 3/8-16Elastic Stop	8
41	3697	Link	2
42	900073	Bolt Carriage 3/8-16x3 1/2	4
43	77065	Plastic Bag	5
44	100071	Spring	1
45	78164	Belt Guard Assy	1
46	78116	Belt Guard Bracket	2
47	78384	Footrest RH	1
48	78166	Bag Frame	1
49	77013	Nozzle 42" Mower SD	1
50	77008	Upward Tube	1
51	78188	Decal - Upward Tube	1
52	77011	Flexible Hose	1
53	102528	Hose Clamp	2
54	78515	Support Bagger Assy	1
55	78464	Axle Support	1
56	900285	Carriage Bolt 5/16-18x5/8	3
57	106370	Clip Standard	3
58	908032	Bolt 3/8-16x3/4	2
59	933506	Hairpin	2
60	78490	Restrainer LH Belt	1
61	78491	Restrainer RH Buckle	1
62	908045	Bolt 7/16-20x5/8 Hex Unf	2
63	900040	Carriage Bolt 5/16-18x1 1/2	3
64	960152	Whizlock 1/4-20x5/8 (BG)	5
65	915664	Nut 7/16 - 14 Eslok	2
66	908017	Bolt 5/16-18x5/8	1

uph belt

13 x 3350 →

A 132

It is recommended to use front wheel weights while using vacuum bagger on hilly and uneven surfaces, to assure proper adherence to ground and good manoevrability.

The vacuum bagger is designed to operate efficiently at normal mowing speeds.

The vacuum will pick up grass clippings, leaves, twigs and other small articles on the lawn and deposit them in the bag.

CAUTION

Care should be taken to remove any articles like stones from the lawn which might cause damage to the mower and the impeller or could fracture the upward tube.

If suction action or pick up should cease while in operation, stop forward travel, disengage attachment clutch and SHUT OFF ENGINE.

Check for such possible causes as a dirty breathing screen, obstructions in the mower nozzle, hose or impeller housing, and insufficient belt tension.

CAUTION

Prevent accidents, don't give children or unauthorized persons an opportunity to operate this machine.

Familiarize yourself thoroughly with the equipment before usage.

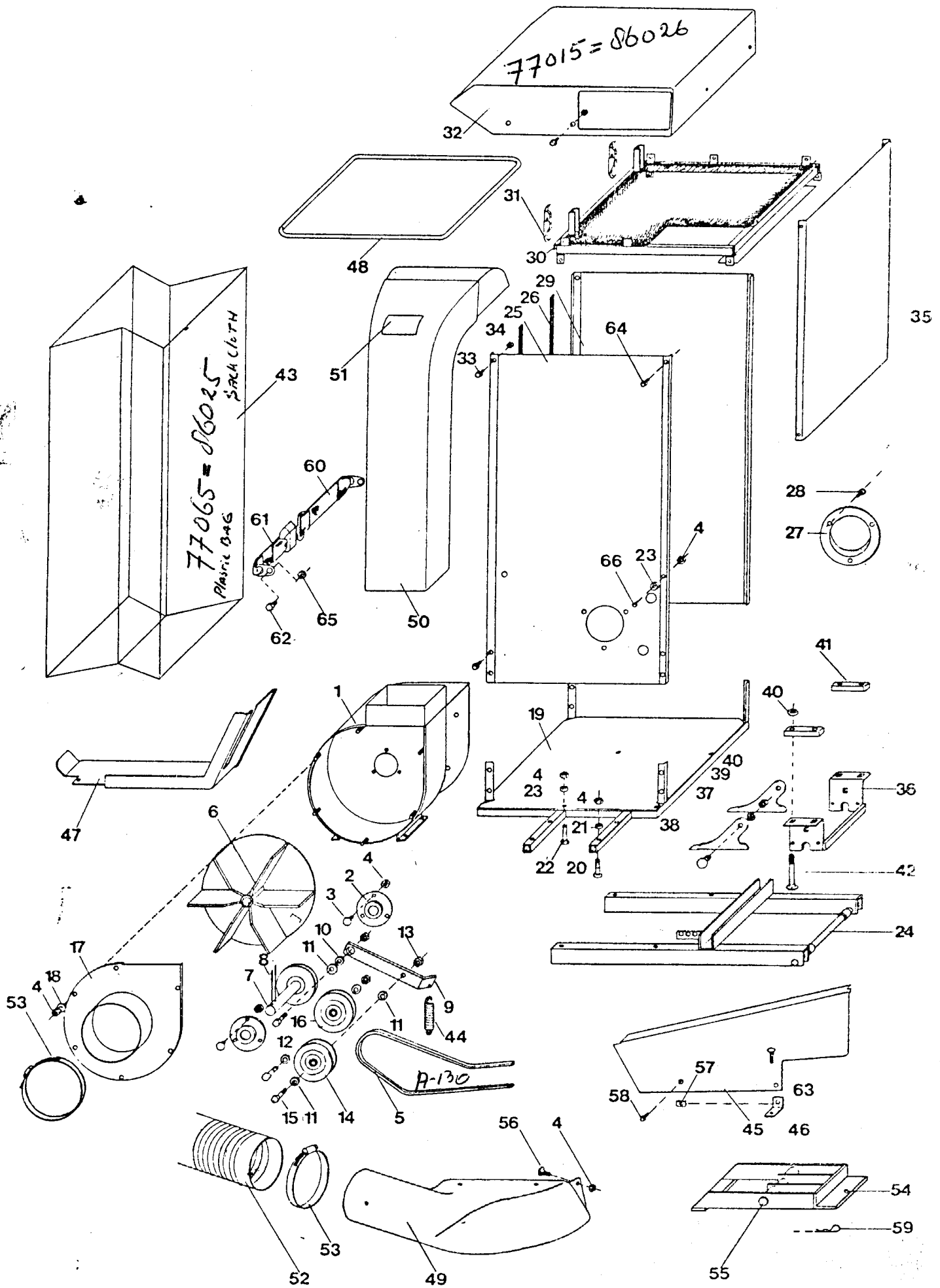
REMOVAL

The vacuum bagger may be removed from the tractor by the following procedure :

1. remove hose from nozzle
2. lift up unit and unit will pivot on rear quick hitch
3. remove belt from spring mounted idler
4. put it back on the drawbar
5. remove belt from PTO
6. loosen latches of the rear hitch
7. take unit out of the rear hitch

The vacuum bagger is nearly maintenance free. The impeller shaft bearings and idler pulleys require no lubrication. For winter storage, simply take standard rust preventive measures on metal components.

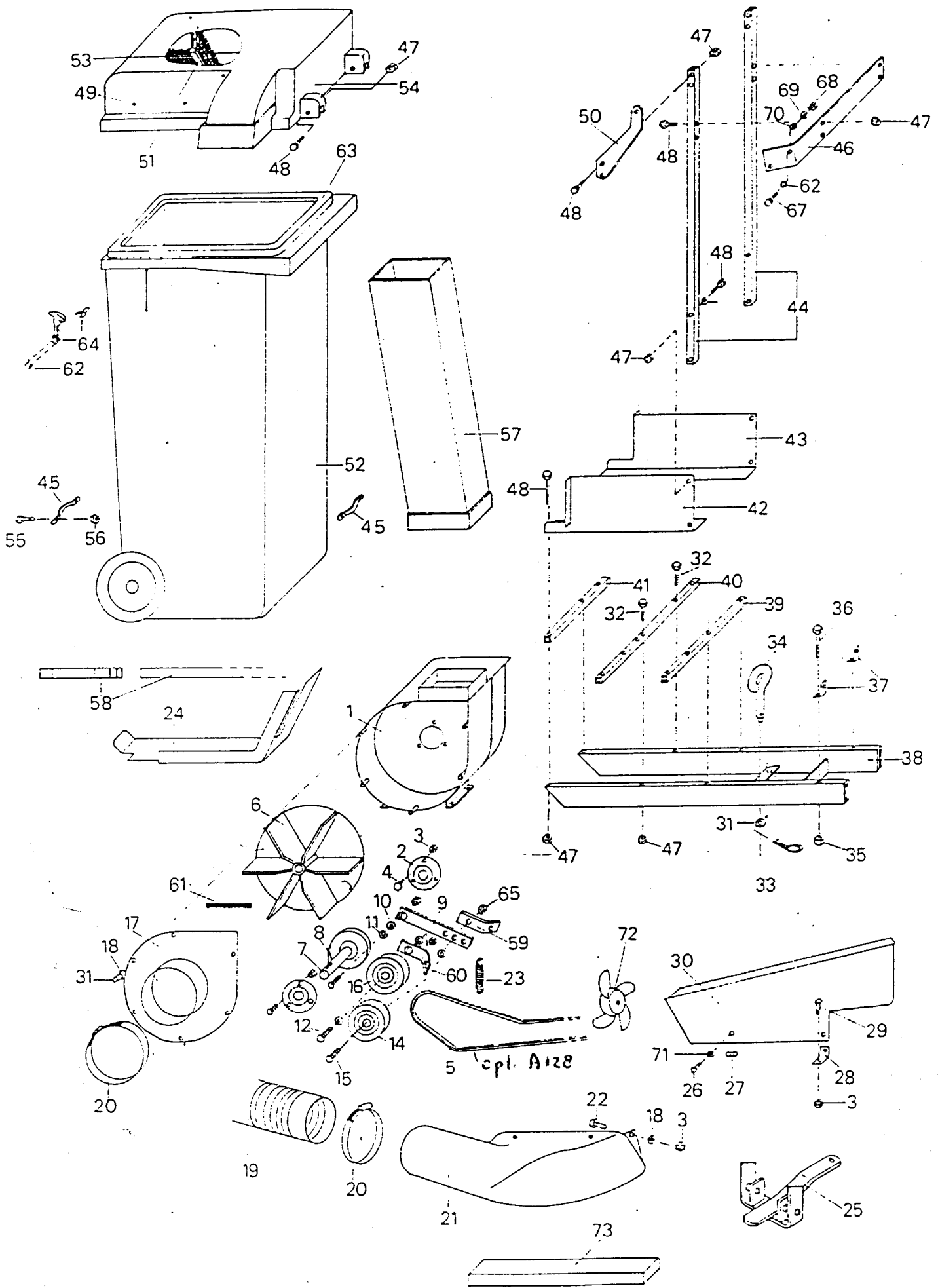
VACUUM BAGGER 07-42 VB-91



PARTS AVAILABLE ONLY THROUGH AUTHORIZED DEALERS.

When ordering parts always list Part No. and description

Item Number	Part Number	Description	Number required
1	86027	Impeller Housing Assy	1
2	77021	Bearing	2
3	900037	Carriage Bolt 5/16-18x3/4	6
4	915112	Lock Nut 5/16-18	26
5	78516	Belt A 130	1
6	78739	Impeller Assy	1
7	86028	Drive Assy	1
8	77120	Roll Pin Ø 6-30	2
9	86029	Idler Arm	1
10	102964	Spacer	2
11	920011	Washer 1/2 SAE	5
12	908057	Bolt 1/2-13x1" Hex	1
13	915115	Nut 1/2-13 Elastic Stop	3
14	77018	Idler Flat	1
15	908061	Bolt 1/2-13x2" Hex	2
16	77017	Idler V	1
17	77056	Front Plate Assy	1
18	920008	Washer 5/16 SAE	11
19	78147	Bottom Plate Assy	1
20	908021	Bolt 5/16-18x1 1/2 Hex	4
21	9101	Spacer	4
22	908022	Bolt 5/16-18x1 3/4 Hex	1
23	86034	Spacer	2
24	86030	Mounting Frame Assy	1
25	86037	Side Panel Assy RH	1
26	102896	Edge Trim	2
27	900040	Carriage bolt 5/16-18x1 1/2	3
29	77060	Side Panel Assy LH	1
30	78156	Cover & Bag Frame Support	1
31	78413	Latch	2
32	86025	Cover	1
33	960151	Whizlock 1/4-20x1/2	18
34	915111	Locknut 1/4-20	20
35	77132	Operator Shielding	1
36	104659	Assy Bracket Mounting	1
37	104657	Plate Latching	2
38	900063	Bolt Carriage 3/8-16x1	2
39	920009	Washer 3/8 SAE	2
40	915663	Nut 3/8-16 Elastic Stop	8
41	3697	Link	2
42	900073	Bolt Carriage 3/8-16x3 1/2	4
43	86025	Jute Bag	1
44	100071	Spring	1
45	78164	Belt Guard Assy	1
46	78116	Belt Guard Bracket	2
47	78384	Footrest RH	1
48	78166	Bag Frame	1
49	77013	Nozzle 42" Mower SD	1
50	77008	Upwards Tube	1
52	77011	Flexible Hose	1
53	102528	Hose Clamp	2
54	86031	Support Bagger Assy	1
55	86033	Spring Support	1
56	900285	Carriage Bolt 5/16-18x5/8	3
57	106370	Clip Standard	3
58	910837	Machine Screw	2
60	86032	Restrainer	1
63	908017	Bolt 5/16-18x5/8	2
64	960152	Whizlock 1/4-20x5/8 (BG)	5
66	908025	Bolt 5/16-18x2 1/2	1



ITEM	PART NUMBER	DESCRIPTION	REQUIRED
1	86027	impeller housing assy	1
2	77021	bearing	2
3	915112	lock nut 5/16-18	11
4	900057	carriage bolt 5/16-18 X 3/4	6
5	88027	belt A 128	1
6	78739	impeller assy	1
7	86028	drive assy	1
8	77120	roll pin Ø 6-30	2
9	88249	idler arm	1
10	102964	spacer	2
11	920011	washer 1/2 SAE	1
12	908057	bolt 1/2 - 13 X 1"hex	1
13	915115	nut 1/2 - 13 elastic stop	2
14	111442	idler flat pulley	1
15	908057-4	bolt 3/8	1
16	77017	idler V	1
17	77056	front plate assy	1
18	920008	washer 5/16 SAE	9
19	77011	flexible hose lower	1
20	102528	hose clamp	2
21	77013	nozzle 42" mower SD	1
22	900055	carriage bolt 5/16 - 18 X 5/8	3
23	9170	spring	1
24	78384	footrest RH with footpad	1
25	86031	support bagger assy	1
26	910837	machine screw	2
27	106370	clip standard	2
28	78116	belt guard bracket	2
29	908027	bolt 5/16 - 18 X 5/8	2
30	78164	belt guard assy	1
31	920011	washer	1
32	88035	bolt M8 X 100	4
33	933505	hairpin	1
34	106634	toolpin	1
35	915112-6	nut	2
36	908027	bolt	2
37	88016	stop	2
38	88248	frame assy	1
39	88008	tube 20 X 20 X 2 - 620	1
40	88252	tube 20 X 20 X 2 - 783	1
41	88251	tube 20 X 20 X 2 - 406	1
42	88253	side panel LH	1
43	88254	side panel RH	1
44	88256	tube 20 X 20 X 2 - 845	2
45	88294	handle	2
46	88255	tube mtg plate	1
47	88034	nut M8	27
48	88293	bolt M8 X 40	23
49	88295	rivet 5 X 16 and washer	
50	88239	hinge-cover	2
51	88275	bar-cover	1
52	88021	grassbag	1
53	88279	screen-cover	1
54	88250	cover	1
55	910792-4	bolt	8
56	915740-6	nut	8
57	88259	upper tube	1
58	88029	safety belt LH+RH	1
59	88251	spring support	1

ITEM	PART NUMBER	DESCRIPTION	REQUIRED
60	86023	spring support	1
61	77125	rubber isolation	1
62	720010	washer	2
63	88290	foam	1
64	106825	latch and handle	2
65	915113-6	nut	1
66			
67	900038-9	carr. bolt	2
68	915112-4	nut	2
69	920082-4	lock washer	2
70	920008-4	washer	2
71	920122	tooth washer	2
72	108515	fan	1
73	106636	blade kit	1

Special kit.

Z.O.Z.



Service Information

ONDERWERP: 17-42VB

PROBLEEM : Slechte afdichting stofuitlaat in de richting van de chauffeur.

OPLOSSING: Monteren van speciale kit nr. 88306 voor betere afdichting aan de voorkant van de bak.

Een speciale kit, bestaande uit :

- 1 hoekijzer 20 x 30 x 2 (520 lang)
- 3 bouten, moeren en volgringen
- 1 zwarte rubberen dichtingsring (560 lang)

zal u automatisch toegestuurd worden. De montage van de kit vergt ongeveer een half uur werk. Een garantieaanvraag kan ons toegestuurd worden.

Montage instructies vindt u in bijlage.

Dank voor uw medewerking.